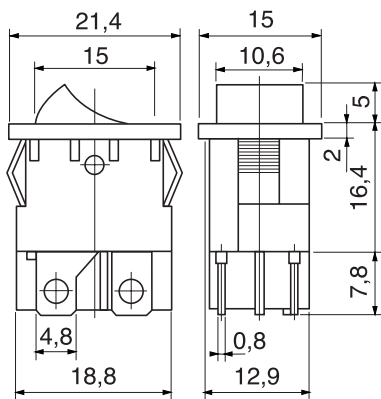


Miniature Illuminated Rocker Switch Specification

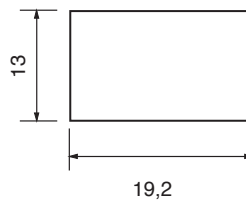


(Rating):	10A 125V AC; 6A 250V AC
(Contact R):	35m Ω max
(Insulation R):	500V DC 100M Ω min
(Dielectric Strength):	1 Minute 1500V AC
(Operating Temperature)	-30°C ~+80°C
(Electrical Life):	10,000 Cycles

Outline Drawing



Mounting



Circuitry

