

PAESTUM LAVABO PA023BI

CE EN 14688:2015

GLOBO



Effetto antibatterico su ceramica
BATAFORM®
Ceramic antibacterial effect
BATAFORM®



Prodotto smaltato con
CERASLIDE®
Glazed product with
CERASLIDE®

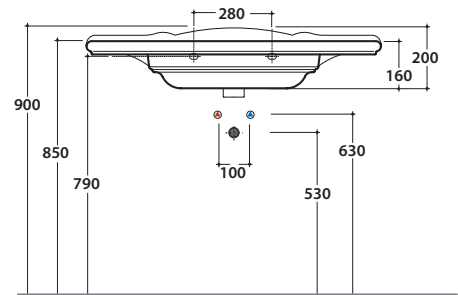
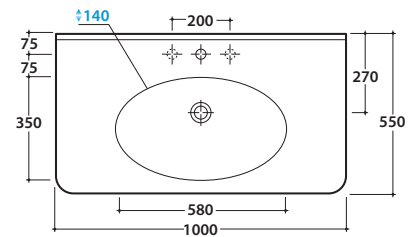
Cod. **PA023BI**

Lavabo 100.55 h20 cm. Installazione sospesa o su mobile. Completo di fissaggi.

Peso 29 Kg

Basin 100.55 h20 cm. Wall-hung installation or on base. Fixing kit included.

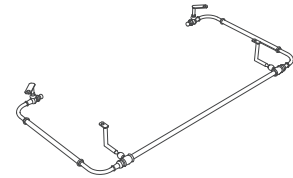
Weight 29Kg



Cod. **PAPC23**

Portasciugamani frontale in ottone cromato, peso 2 Kg

Front brass chromium-plated towel rail. Weight 2 Kg



Cod. **FI012BI**

Piletta up and down con tappo in ceramica per lavabi con troppo pieno. Peso 0,5 Kg

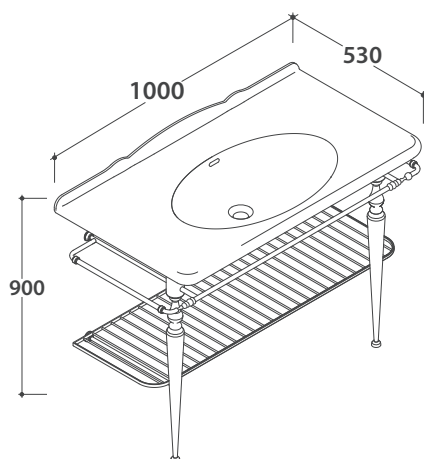
Push open valve drain with ceramic top for basins with overflow. Weight 0,5 Kg



Cod. **FI012CR**

Piletta cromata up and down per lavabi con troppopieno. Peso 0,5 Kg

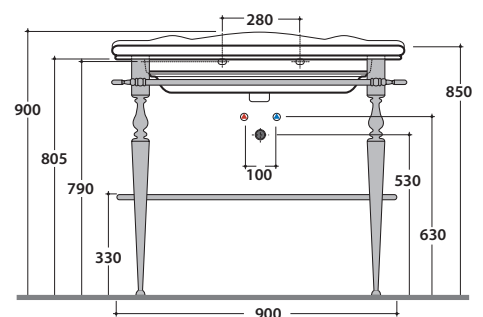
Push open chromed valve drain for basins with overflow. Weight 0,5 Kg



Cod. **PATC23**

Struttura a terra 100.53 h82 cm in ottone cromato, per lavabo PA023. Peso 12 Kg

Brass chromium-plated floor-mounted structure 100.53 h82, for basin PA023. Weight 12 Kg



PAESTUM LAVABO PA023BI

CE EN 14688:2015

GLOBO

Cod. **PS100FO**

Foglia oro
Gold-leaf finish

Cod. **PS100FA**

Foglia argento
Silver-leaf finish

Cod. **PS100CA**

Laccato CARBONE
Lacquered CARBONE

Cod. **PS100ME**

Laccato MELOGRANO
Lacquered MELOGRANO

Cod. **PS100CT**

Laccato CRETA
Lacquered CRETA

Cod. **PS100CL**

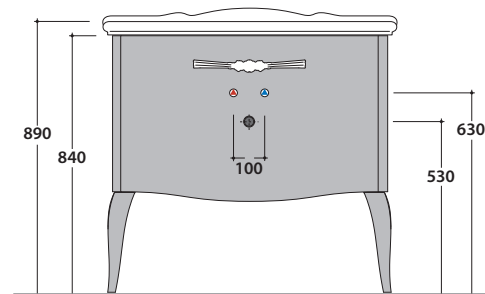
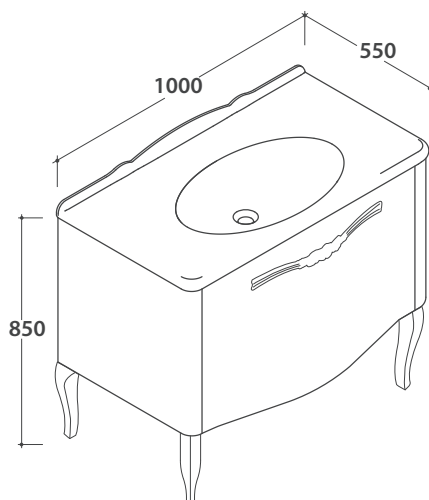
Laccato CLAY
Lacquered CLAY

Cod. **PS100RN**

Rovere nero
Black oak finish

Cod. **PS100RB**

Rovere bianco
White oak finish



Ingombro massimo con cassetto aperto mm. 940
Maximum encumbrance with open drawer mm. 940

Base a terra 93.51 h84 cm per lavabo PA023, 1 cassetto. Peso 36,7 Kg
Floor-mounted base 93.51 h84 cm for basin PA023, 1 drawer. Weight 36,7 Kg