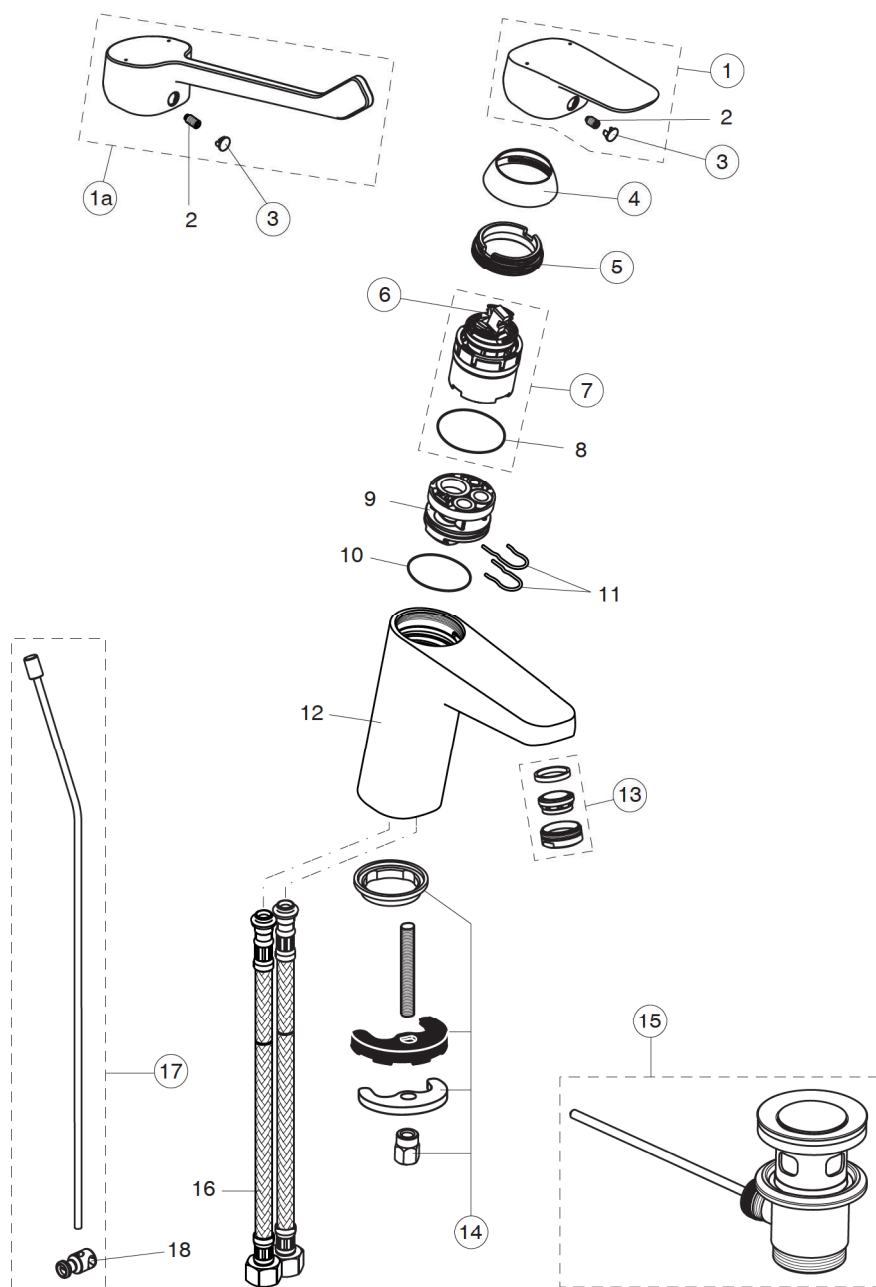
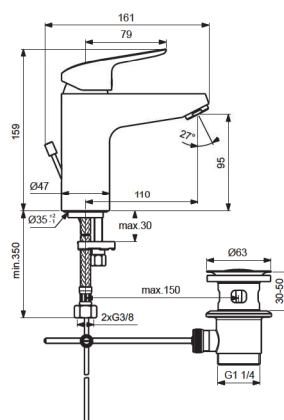


BASE

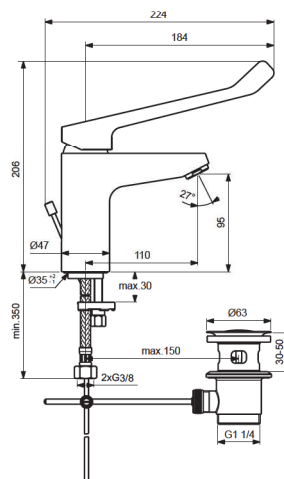
Dolomite



B5112AA



B5114AA



Pos.	Signify	Spare parts-Nr.	Quantity	Pos.	Signify	Spare parts-Nr.	Quantity
1	Lever,w/logo-set	B961375AA	1 Pcs.	14	Connecting set	B960432NU	1 Set
1a	Lever clinic,w/logo-set	B961381AA	1 Pcs.	15	Pop-up drain ass.	A963990AA	1 Pcs.
2	Screw M5x8		1 Pcs.	16	Flex pexhose G3/8- Ø10.5/L445		2 Pcs.
3	Cap decorative	B960473AA	1 Pcs.	17	Pop up waste-compl.	B961384AA	1 Pcs.
4	Rosette M38x1.5	B961373AA	1 Pcs.	18	Pop up waste shackle		1 Pcs.
5	Screw M41x1.5/M38x1.5	B961374NU	1 Pcs.				
6	Hot limit stop	A861181NU	1 Pcs.				
7	Cartridge Ø38mm	A861156NU	1 Pcs.				
8	O-Ring Ø38x2.5		1 Pcs.				
9	Manifold		1 Pcs.				
10	O-Ring Ø34x2		1 Pcs.				
11	Clip		2 Pcs.				
12	Body basin GRANDE		1 Pcs.				
13	Perlator M24x1-A / 5l/min	B961383AA	1 Pcs.				