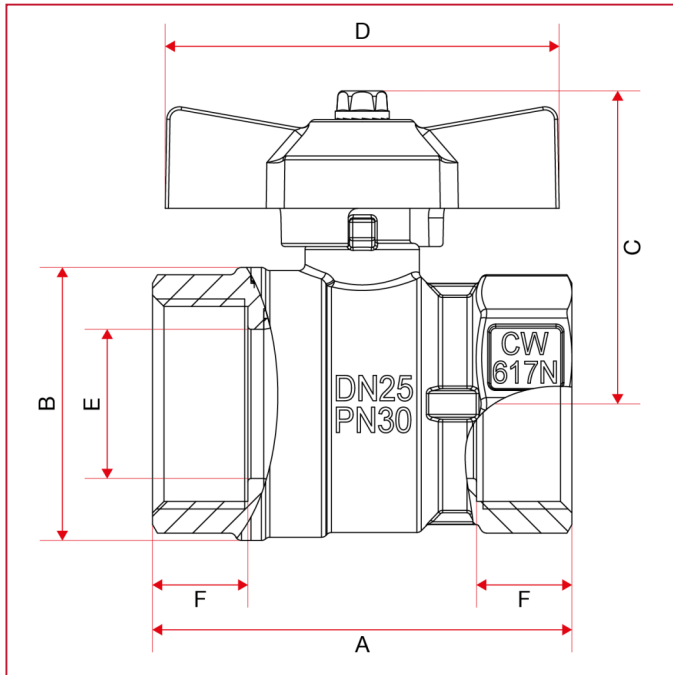




118 Valvola a sfera Vienna, passaggio standard

INGOMBRI



| | 1/4" | 3/8" | 1/2" | 3/4" | 1" |
|------------------------|------|------|------|------|------|
| DN | 8 | 10 | 15 | 20 | 25 |
| A | 44,4 | 44,4 | 48 | 53 | 66 |
| B | 23,5 | 24 | 29 | 36 | 43 |
| C | 37,3 | 37,3 | 40 | 46 | 49 |
| D | 47 | 47 | 47 | 54 | 62 |
| E | 10 | 10 | 14 | 18,5 | 23,5 |
| F | 10 | 10 | 12 | 12 | 15 |
| Kg/cm ² bar | 50 | 50 | 30 | 30 | 30 |
| LBS - psi | 725 | 725 | 435 | 435 | 435 |