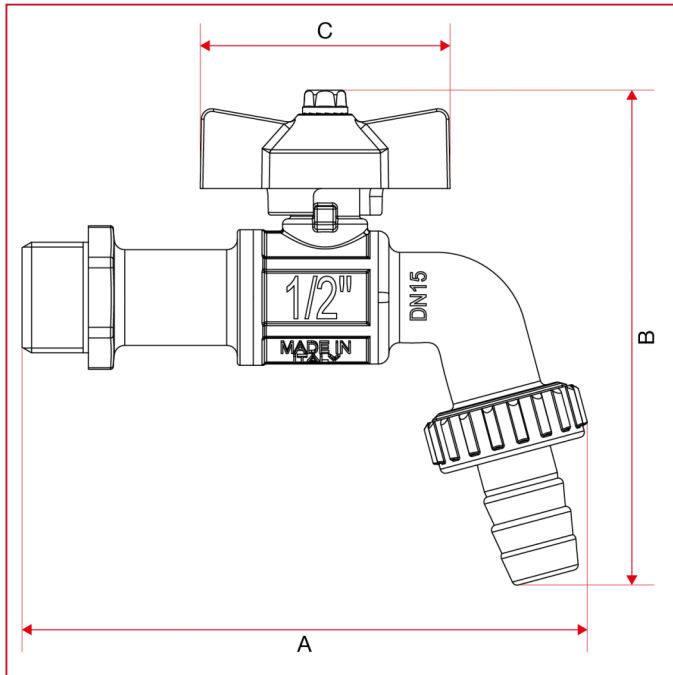




134 Rubinetto portagomma a sfera

INGOMBRI



| | 3/8" | 1/2" | 3/4" | 1" |
|------------------------|-------|-------|-------|-----|
| DN | 10 | 15 | 20 | 25 |
| A | 104 | 106 | 117 | 138 |
| B | 93 | 93 | 104 | 121 |
| C | 47 | 47 | 54 | 62 |
| Kg/cm ² bar | 15 | 15 | 15 | 12 |
| LBS - psi | 217,5 | 217,5 | 217,5 | 174 |