

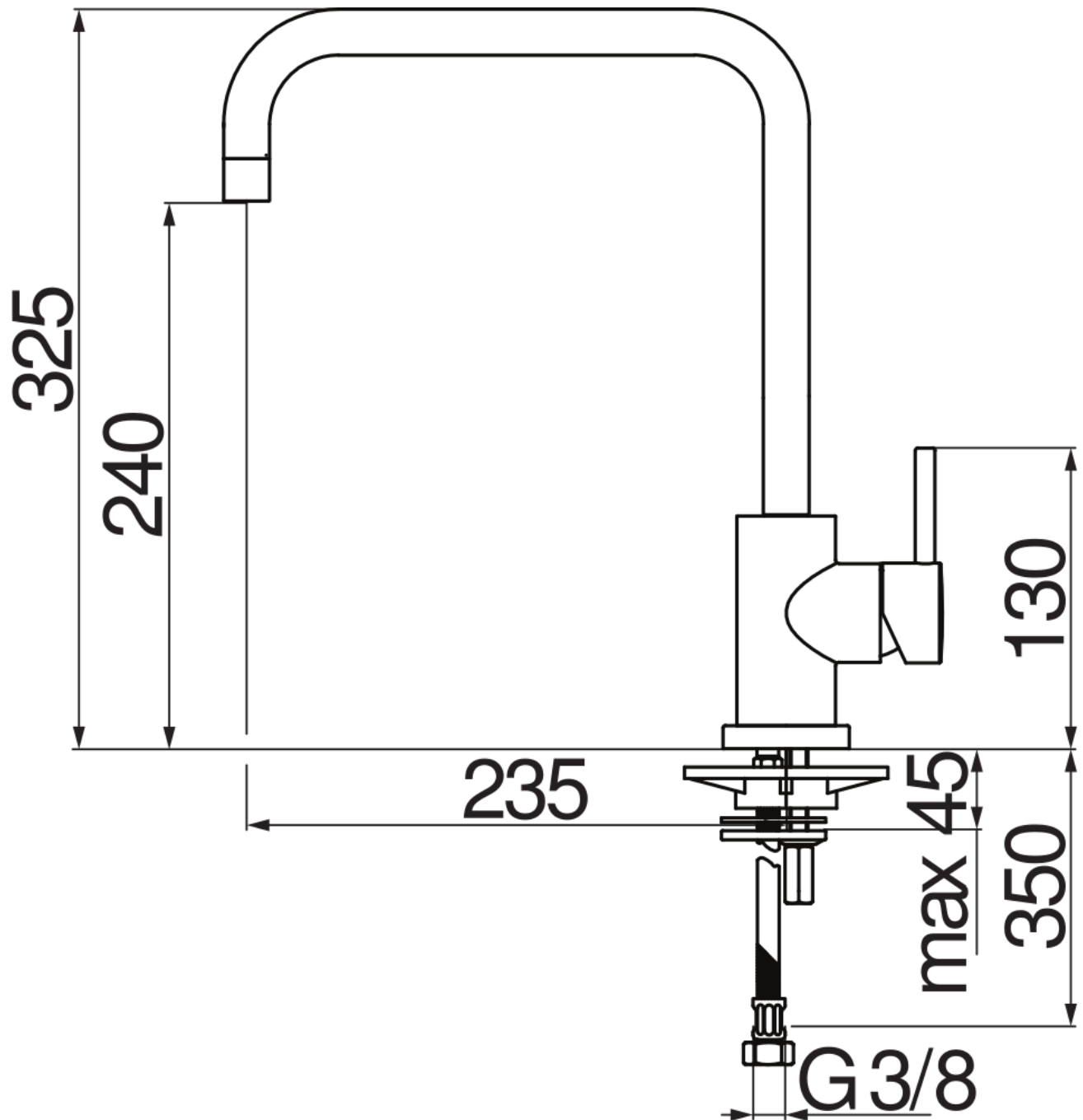


SPECIFICATIONS

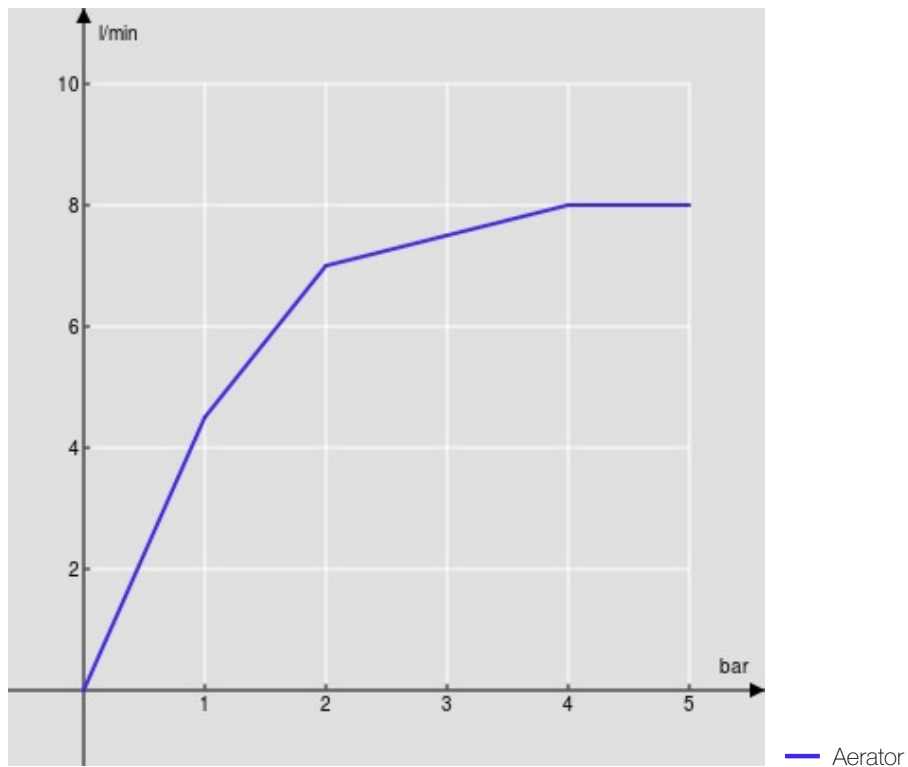
Single control
Chrome
360° swivel spout
Anti limescale aerator M 16 x 1
ø 3/8" stainless steel flexible pipe
50% two step cartridge for water saving
Packaging: 56,5 x 29 x 7,1 cm / 0,011633 m³ / 2,27 kg

CERTIFICATIONS





FLOW RATE DIAGRAM: HOT/COLD WATER



FLOW RATE DIAGRAM: MIXED WATER

