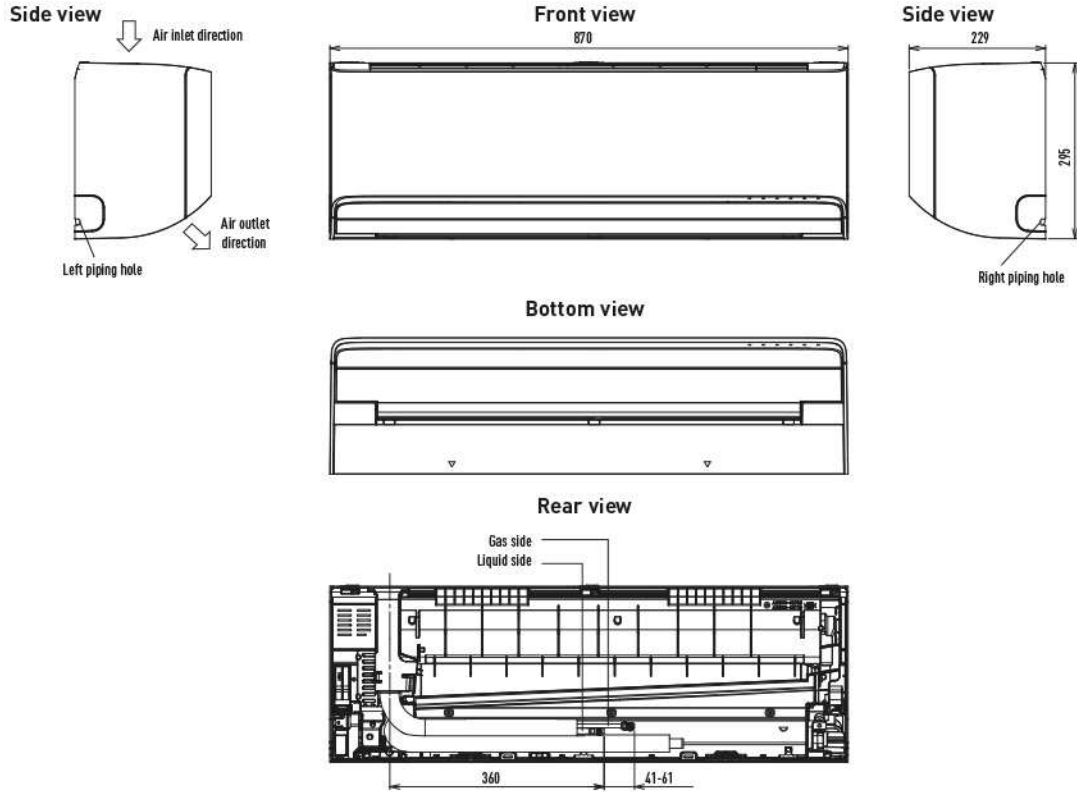
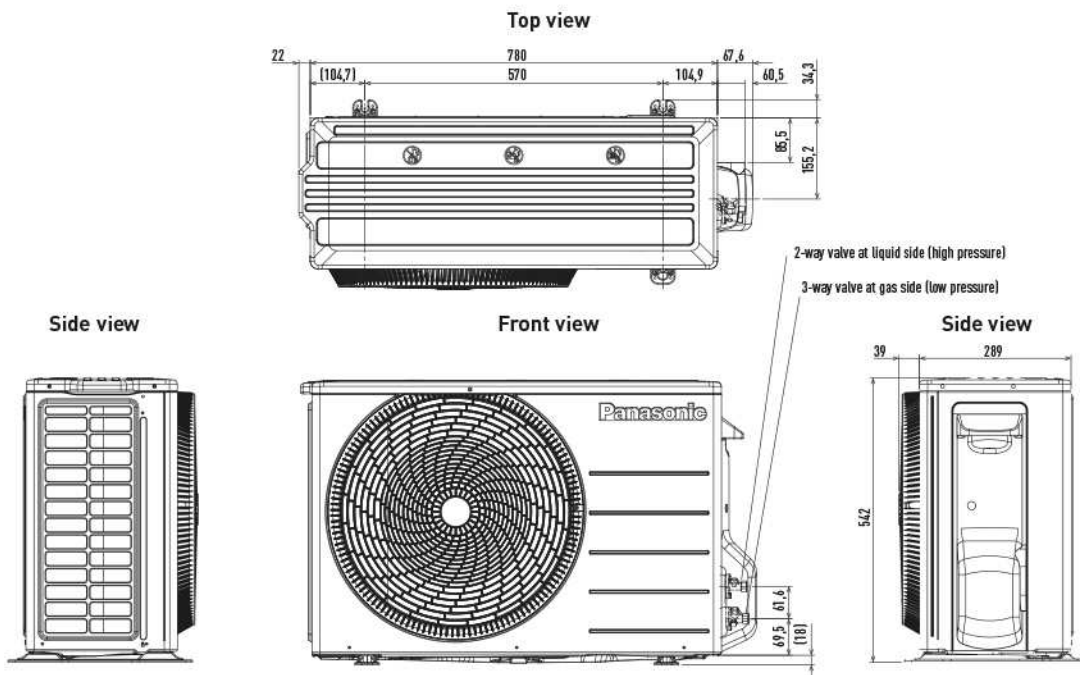
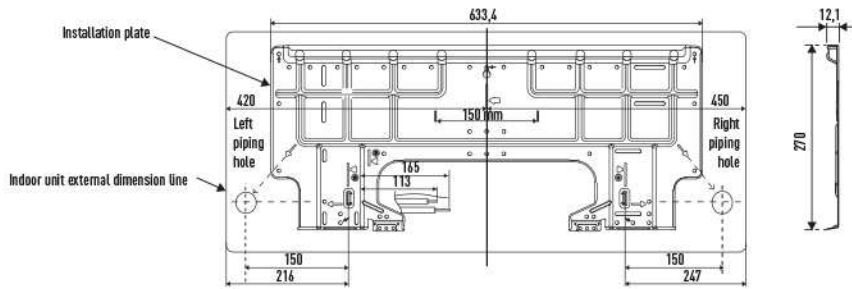


**Dimensionali**

Wall-mounted Etherea (from 1,6 to 4,2 kW)



**Relative position between the indoor unit and the installation plate**



Unit: mm

## Collegamenti elettrici

Wall-mounted Etherea graphite grey, silver and matt white kits 1x1

Indoor unit



Outdoor unit



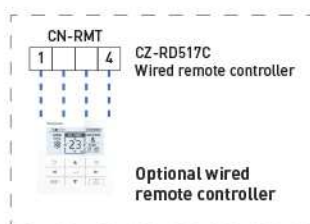
Attention: Wall-mounted Etherea and TZ super-compact have different connection terminals



Single phase  
Power supply  
230 V / 50 Hz



Infrared remote  
controller (included  
in the delivery)



Power supply to indoor or outdoor depending on model, see table.

### Single phase

Indoor unit	Power supply	Recommended fuse	Power supply cable	Connection indoor / outdoor	Outdoor unit
CS-XZ20ZKEW-H / CS-XZ20ZKEW / CS-Z20ZKEW	230 V (indoor)	16 A	3 x 1,5 mm <sup>2</sup>	4 x 1,5 mm <sup>2</sup>	CU-Z20ZKE
CS-XZ25ZKEW-H / CS-XZ25ZKEW / CS-Z25ZKEW	230 V (indoor)	16 A	3 x 1,5 mm <sup>2</sup>	4 x 1,5 mm <sup>2</sup>	CU-Z25ZKE
CS-XZ35ZKEW-H / CS-XZ35ZKEW / CS-Z35ZKEW	230 V (indoor)	16 A	3 x 1,5 mm <sup>2</sup>	4 x 1,5 mm <sup>2</sup>	CU-Z35ZKE
CS-XZ42ZKEW-H / — / CS-Z42ZKEW	230 V (indoor)	16 A	3 x 1,5 mm <sup>2</sup>	4 x 1,5 mm <sup>2</sup>	CU-Z42ZKE
— / CS-XZ50ZKEW / CS-Z50ZKEW	230 V (indoor)	16 A	3 x 2,5 mm <sup>2</sup>	4 x 2,5 mm <sup>2</sup>	CU-Z50ZKE
— / — / CS-Z71ZKEW	230 V (indoor)	20 A	3 x 2,5 mm <sup>2</sup>	4 x 2,5 mm <sup>2</sup>	CU-Z71ZKE